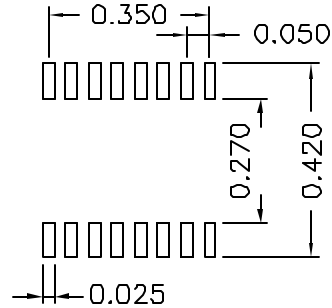
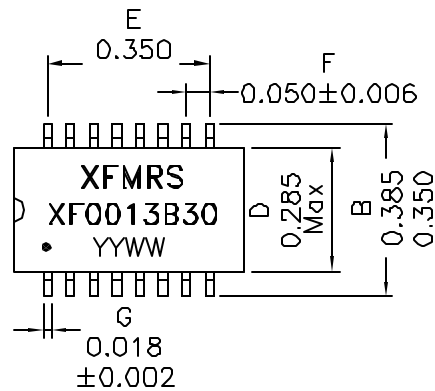
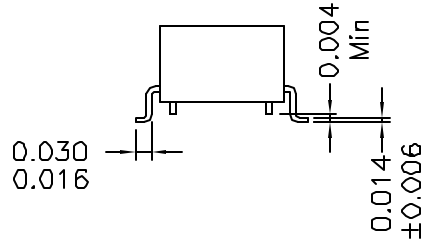
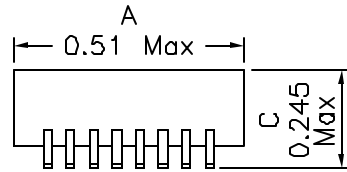
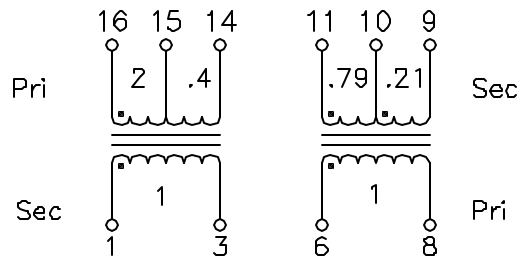


1. Mechanical Dimensions:



SUGGESTED FOOTPRINT

2. Schematic:



3. Electrical Specifications: @25°C

HIPOT: 1500Vac

TURNS RATIO: Pins (1-3):(16-15-14)=1:2:2.4±2%

TURNS RATIO: Pins (6-8):(11-10-9)=1:.79:1±2%

PRI OCL: 1.2mH Min @10KHz 0.1V

CW/W: 35pF Max @10KHz 0.1V (PRI/SEC)

PRI LL: 1.0uH Max @100KHz 0.1V, Short SEC

PRI DCR: 0.800 Ohms Max

Crosstalk Attenuation: -60dB Typ 100KHz-10MHz

Notes:

1. Solderability: Leads shall meet MIL-STD-202G, Method 208H for solderability.
2. Flammability: UL94V-0
3. ASTM oxygen index: > 28%
4. Insulation System: Class F 155°C. UL file E151556
5. Operating Temperature Range: All listed parameters are to be within tolerance from -40°C to +85°C
6. Storage Temperature Range: -55°C to +125°C
7. Aqueous wash compatible
8. SMD Lead Coplanarity: ±0.004*(0.102mm)
9. Electrical and mechanical specifications 100% tested
10. RoHS Compliant Component

DOC REV: A/5

PROPRIETARY

Document is the property of XFMRS Group & is not allowed to be duplicated without authorization.

XFMRS Inc www.XFMRS.com	Title: SMD T1/E1 ISOLATION MODULE		
	UNLESS OTHERWISE SPECIFIED TOLERANCES: .xxx ±0.010	P/N: XF0013B30	REV. A
Dimensions in Inch	DWN.	Juan Mao	May-03-08
SHEET 1 OF 1	CHK.	YK Liao	May-03-08
	APP.	BW	May-03-08